



The Pro Slide's track (pictured left) provides smooth, effortless movement for the user while eliminating potential chatter and offers a unique professional wire management system that is both aesthetic and protects cables from damage.



**Pro Slide Undercabinet Workstation with UL1821 (UL1821-EV7S-PS28-D0-KUB)**



**Pro Slide Undercabinet Monitor Mount with UL1801 (UL1801BV-PS28-D0)**



**Pro Slide Undercabinet Workstation with Drop Pole (ULBVI-PS28-D1-KDP-A1)**



**Pro Slide Undercabinet Workstation**  
(installation video may not match your exact model)

## Custom Pro Slide Track Lengths Available to Fit Your Cabinet

### Enhance Your Cabinet with the Pro Slide Track Undercabinet Workstations and Monitor Mounts

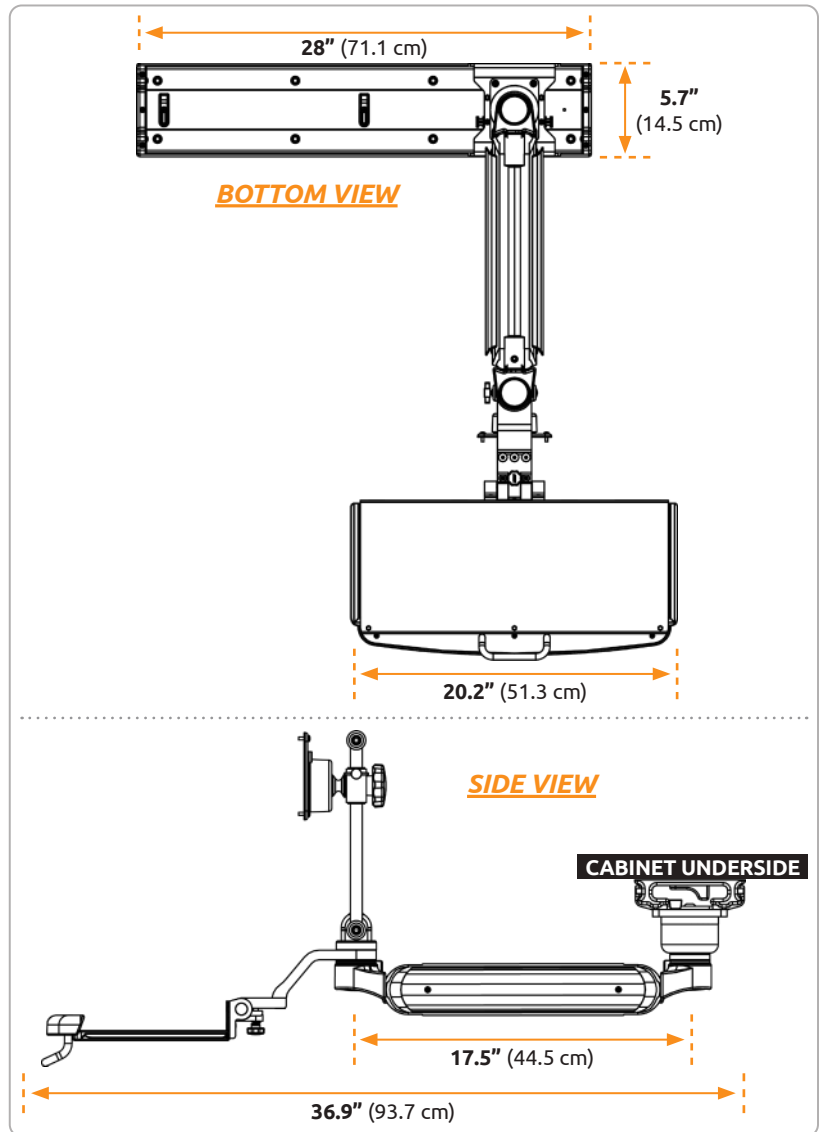
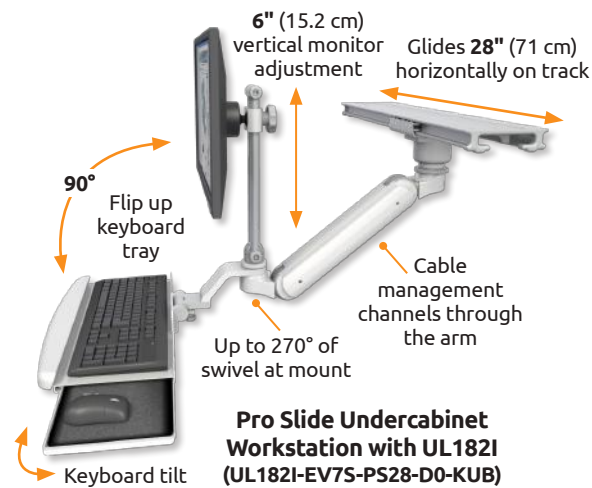
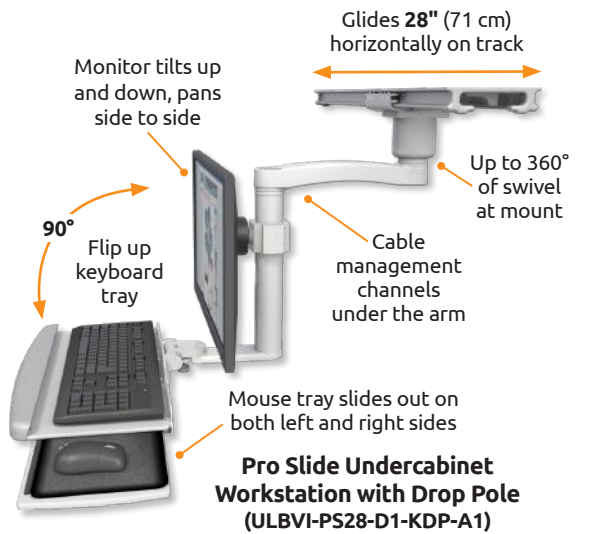
- **UNIVERSAL TRACK\*** can mount to underside of any cabinet, taking advantage of unused undercabinet space. Competitor's mounts will only fit on their own proprietary cabinets.
- **SLEEK DESIGN** and sturdy construction. Engineered for years of reliable service and quiet operation.
- **CABLING IS DISCREETLY HIDDEN AND PROTECTED** in the slide track and internally through the mount, giving longer life to your mount and devices.
- **WEIGHT-TESTED ON STANDARD CABINET MATERIAL AND FASTENERS FOR 166 lbs. (75 kg)** with no damage to the mount or cabinet.
- **5-YEAR WARRANTY**
- **CYCLE-TESTED FOR 80,000 SLIDES** without issues or noticeable wear.
- **EASY ONE-FINGER MOVEMENT** vertically and horizontally without noisy chatter when the mount slides across the track.
- **OUTSTANDING REACH** for an undercabinet monitor.
- **PATENTED ULTRA 180 AND 182 ARMS** offer a full range of vertical and horizontal motion for a monitor as well as 180° of vertical arm rotation and up to 360° of horizontal rotation.
- **STOWS SNUGLY** under the counter when not in use, making it the perfect choice for tight spaces.



For more information contact your ICW representative or talk to one of our customer service representatives at 1-800-558-4435.

## Range of Motion and Specifications

### Pro Slide Undercabinet Workstation Variations



### Specifications

	Ultra 180	Ultra 182	Ultra 180B	Ultra 182B
<b>Load Capacity</b>	0-28 lbs (0-12.7 kg)	0-32 lbs (0-12.7 kg)	0-43 lbs (0-14.5 kg)****	8-45 lbs (3.6-20.4 kg)****
<b>Vertical Lift</b>	16" (40.6 cm)**	24" (61 cm)	16" (40.6 cm)**	24" (61 cm)
<b>Usable Vertical Lift</b>	12" (30.5 cm)	15" (38.1 cm)	12" (30.5 cm)	15" (38.1 cm)
<b>Track Length</b>	28" (71.1 cm)*	28" (71.1 cm)*	28" (71.1 cm)*	28" (71.1 cm)*
<b>Usable Track Slide Length</b>	21.6" (54.9 cm)	21.6" (54.9 cm)	21.6" (54.9 cm)	21.6" (54.9 cm)
<b>Swivel at Track</b>	360****	360****	360****	360****
<b>Keyboard Tray Dimensions</b>	Width: 20.2" (51.3 cm) Depth: 8.9 (22.6 cm)	Width: 20.2" (51.3 cm) Depth: 8.9 (22.6 cm)	Width: 20.2" (51.3 cm) Depth: 8.9 (22.6 cm)	Width: 20.2" (51.3 cm) Depth: 8.9 (22.6 cm)
<b>Keyboard Tray Tilt</b>	15° Positive and 15° Negative	15° Positive and 15° Negative	15° Positive and 15° Negative	15° Positive and 15° Negative

\*Custom tracks can be cut to length by request.

\*\*Vertical and horizontal travel can be effected by cabinet dimensions.

\*\*\*Swivel limited to 180° when cabinet is against wall.

\*\*\*\*In order to load ICWUSA's Heavy Duty ULB Series, the cabinet also has to be able to hold the weight.

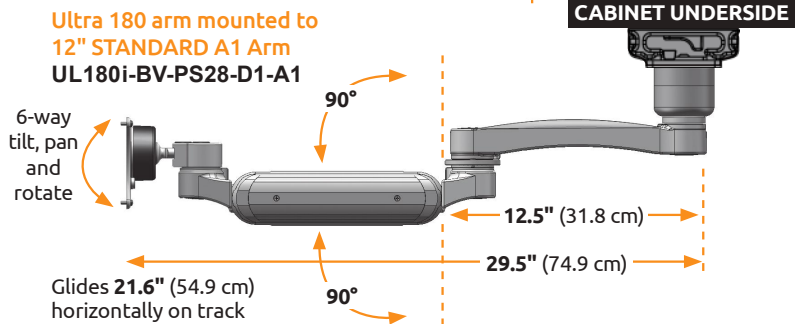
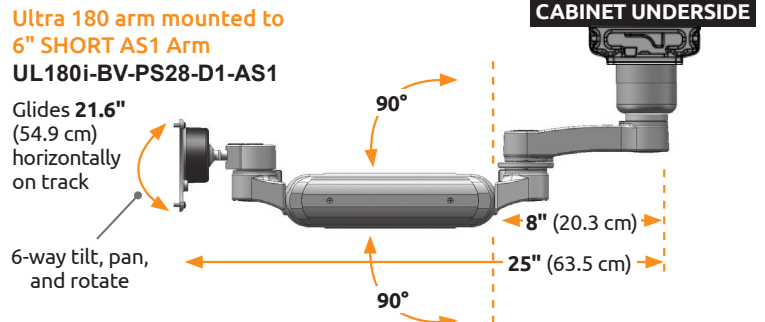
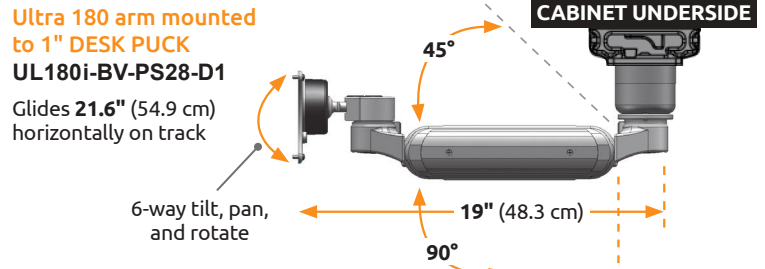
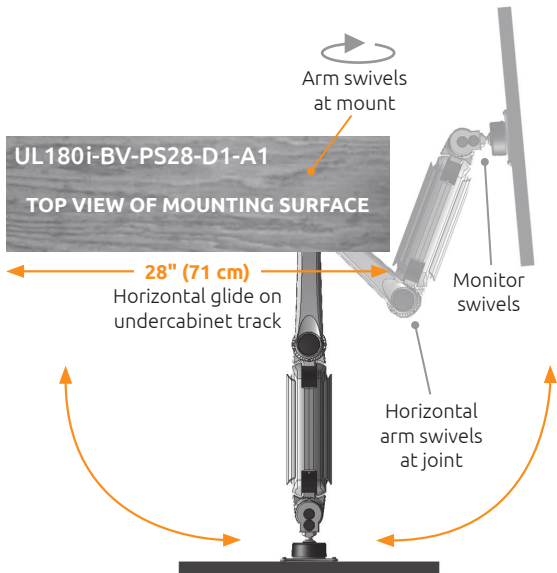
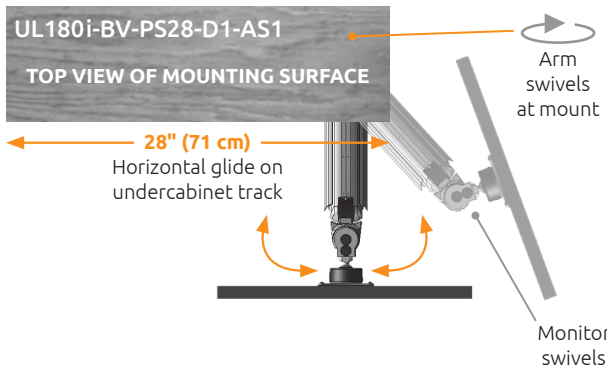
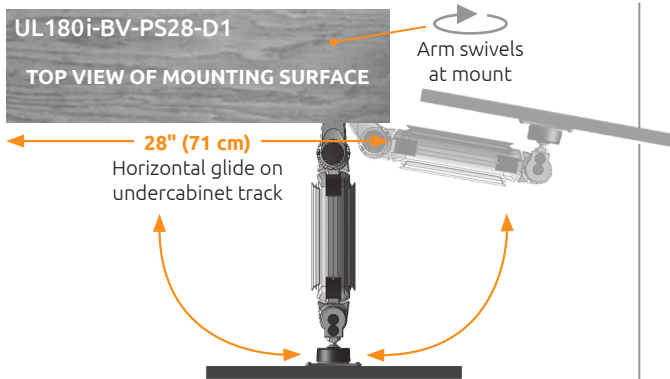
### Ultra 180B/ Ultra 182B Arm Brake



Brake easy to engage and locks arm into place.

# Undercabinet Monitor Mounts

Adaptable monitor mount with three range of motion options



## Specifications

	Ultra 180	Ultra 182
<b>Load capacity (with LCD monitor only)</b>	32 lbs (14.5 kg) 22 lbs (10 kg) with additional EV7 monitor mount and Flip-Up Tray	32 lbs (14.5 kg) 22 lbs (10 kg) with additional EV7 monitor mount and Flip-Up Tray
<b>Horizontal rotation at mount</b>	180°	180°
<b>Horizontal glide on track</b>	21.6" (54.9 cm)	21.6" (54.9 cm)
<b>Horizontal rotation at extension arm articulation point</b>	Up to 270°	Up to 270°
<b>Vertical adjustment</b>	Up to 12" (30.5 cm)	Up to 24" (61 cm)
<b>Monitor tilt</b>	50°	50°
<b>Monitor pan</b>	270°	270°
<b>Monitor rotation</b>	Landscape to portrait	Landscape to portrait
<b>Mounting surface</b>	Undercabinet	Undercabinet
<b>Stowed depth</b>	10" (25.4 cm)	10" (25.4 cm)
<b>VESA interface</b>	75 mm and 100 mm	75 mm and 100 mm
<b>Available in Three Configurations</b>	Desk puck, short extension arm, standard extension arm	Desk puck, short extension arm, standard extension arm

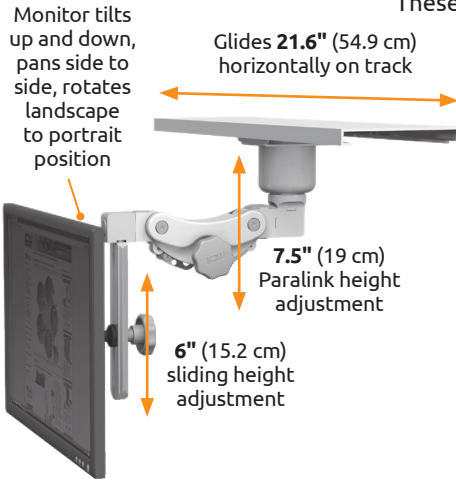
The Ultra 180 and Ultra 182 arms are protected by U.S. Patent 9,243,743

Monitor not included.

## Other Mounting Option Ideas

All models glide 28" (71 cm) horizontally on a track. Custom lengths available.

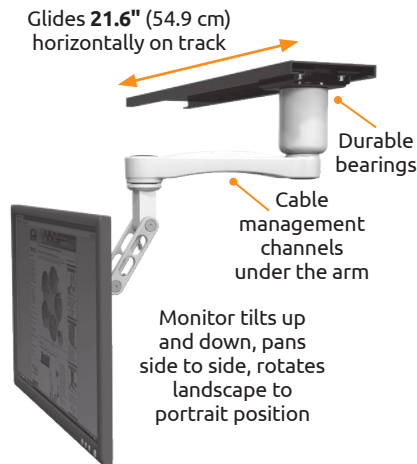
These are a few of the many possible configurations available.



**UL550RAI-PS28D1**

### Monitor Mount with Paralink

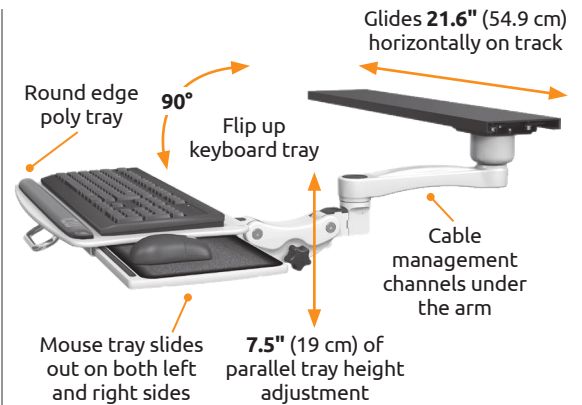
- Accomodates all monitors
- 6" (15.2 cm) sliding monitor height adjustment
- An additional 7.5" (19 cm) of Paralink height adjustment



**UL5001-PS28D3-A1**

### Monitor Mount with Ultra Arm

- Accomodates monitors up to 18 lbs
- Internal cable management
- Effortless monitor adjustability and stowability



**KPP-PS28D1-A1**

### Keyboard Tray with Paralink

- Accomodates all keyboards
- Stows under cabinet or desk
- 7.5" (19 cm) of tray height adjustment
- Internal cable management

## Pro Slide Undercabinet Workstation Range of Movement



Mount slides 21.6" (54.9 cm) along track and provides 65" (165.1 cm) of reach (UL1821EV7S-PS28-D0-KUB model shown above).

Available in these 5 standard colors and 9 custom colors.



ICWUSA.com, Inc.  
1487 Kingsley Drive  
Medford, OR 97504  
800-558-4435